



T HROTTLE GLOBE VENT VALVE



MANUAL VENT VALVE



BEVEL GEARED VENT VALVE



ELECTRICAL VENT VALVE



UNDERGROUND THROTTLE GLOBE VENT VALVE



四川长仪油气集输设备股份有限公司

Sichuan Changyi Oil-Gas Gathering Transportation Equipment Co.,Ltd

APPLICATION ON SITE

2



Tel: +86 -833-2631000 +86 -833-2631315

Email: lscy@vip.163.com



PERFORMANCE

- + THROTTLE GLOBE VENTING VALVE (hereinafter written as TGV Valve) is applied for venting gas in natural gas pipeline when an emergency or overhauling is needed.
- + TWENTY YEARS OF TGV Valve in the market
- + FIFTH GENERATION is haloed by customers to meet different working conditions after improvements of many times.
- + MULTIPLE FUNCTIONS of 5th generation

In the combinational function of throttle & globe & vent

With realization of forward and reverse media flow

Removing impurities automatically

Be suitable to high and low temperature, sour gas, and high sulfur gas

Scour-resistant and erosion-resistant in the condition of high pressure difference



With anti-sulfur alloy, ceramic seal / With media containing high H₂S、CO₂ and CL-



DESING FEATURES

+ **Reliable Seal:** hard and soft seal, meeting the *zero leakage* of high-pressure gas and liquid media

+**Pressure Throttle and Pressure Relief:** Two-class pressure alleviation slows down the medium erosion on the sealing surface and improves the sealing reliability.

+ **Forward and Reverse Medium:**

The movement of Media is transferred from the throttling point in the valve bush to the interface between relief shaft and valve bush. The soft seat sealing is prevented from dragging and delinking easily.

+**Small vibration and low noise**

+**Auto Cleaner:** The two O-rings in valve seat along with residue slot make residues cleaned automatically when spool moves up and down in the valve seat.

+ **Reliable and flexible operation:** Multiple usages of the balance hole and residue slot.

+ **No leakage and long life time of Valve stem:** multiple functions of the O-ring and the packing material PTFE.

TECHNIQUE PARAMETERS & MODEL EXPLANATION

PN	1.6 ~ 42.0MPa (ANSI 150Class ~ 2500Class)
DN	15 ~ 500mm (NPS 1/2" ~ 20")
Applicable Temperature	Conventional : -29°C ~ 130°C ; high : 130°C ~ 350°C ; low : -101°C ~ -29°C. (Specific PN and DN is to be chosen by real situations)
Medium	Oil、Purified NG、NG(H ₂ S+CO ₂ ≤8mol%)、NG(H ₂ S+CO ₂ ≤21mol%)、Gas ,etc.
Type of Drive	Manual 、Electrical 、Bevel Geared



四川长仪油气集输设备股份有限公司

Sichuan Changyi Oil-Gas Gathering Transportation Equipment Co.,Ltd

	(Other drive type is accessible for customer.)
Standard	Structure length (L) : ANSI B16.10、GB/T12221 Flange : ANSI B16.5、JB/T79、HG20592 ~ 20635、GB/T9113 Test : API 598、GB/T13927、JB/T9092 Anti-Sulfur Valve : NACE MR 0175、SY/T0599-2006
It' s accessible to offer the customized design and manufacture.	
MODEL EXPLANATION	
e.g. (K) FJ9B41Y 150Class ~ 2500Class	DETAILS
K	K:Anti-Sulfur; G:High Temperature; D:Low Temperature
F	VENT
J	THROTTLE GLOBE
9B	Drive Type (blank =MANUAL ; 9B=ELECTRICAL ; 5=BEVEL GEARED)
4	FLANGE (6 = full welded)
1	Direct Connection
Y	Hard Alloyed
150Class ~ 2500Class	Nominal Pressure Rating



DIMENSIONS & DRAWING

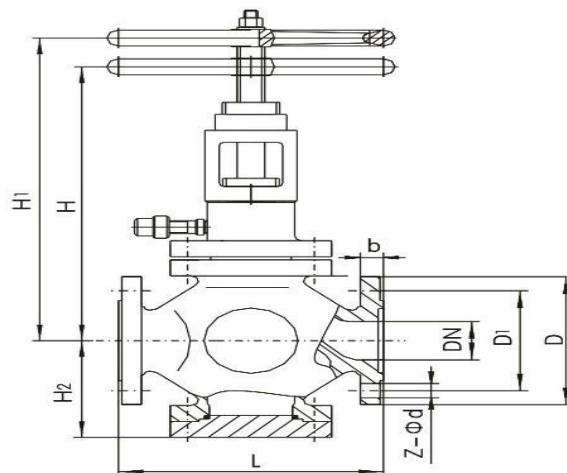


图1 (K) FJ41Y型节流截止放空阀结构简图
Fig.1 (K) FJ41Y Throttle Stop Discharge Gas Valve structure drawing